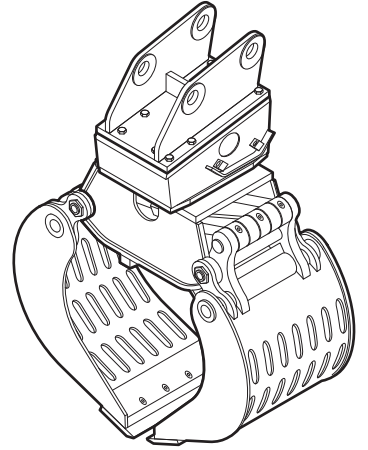


Spare parts list Multi grapple

| | Valid from serial number |
|---------|--------------------------|
| MG 1500 | 203 |



Contents

| | |
|--------------------------------------|----|
| General information | 5 |
| Spare parts list | 6 |
| Multi grapple | 6 |
| Hydraulic cylinder, left-hand | 8 |
| Hydraulic cylinder, right-hand | 10 |
| Rotary transmission | 12 |
| Tightening torques | 14 |
| Accessories | 15 |
| Hydraulic hoses | 15 |
| Optional equipment | 15 |
| Kits | 16 |
| Label kit | 16 |
| Blade kit | 16 |
| Seal kit (Hydraulic motor) | 16 |
| Seal kit (Hydraulic cylinder) | 16 |
| Seal kit (Rotary transmission) | 16 |
| Dimensions | 17 |

General information

This spare parts list applies to the following:

| Part number | Description |
|--------------|-----------------------|
| 3363 0982 23 | Multi grapple MG 1500 |

Use only authorized parts. Any damage or malfunction caused by the use of unauthorized parts is not covered by Warranty or Product Liability. Any unauthorized use or copying of the contents or any part thereof is prohibited. This applies in particular to trademarks, model denominations, part numbers, and drawings.

Instructions for use

This spare parts list contains no safety regulations and is merely intended to assist in the ordering of spare parts.

For information about operating, servicing, or repairing, the relevant Safety and operating instructions must be consulted at all costs.

Please observe the safety instructions listed in the relevant Safety and operating instructions!

Instructions of ordering

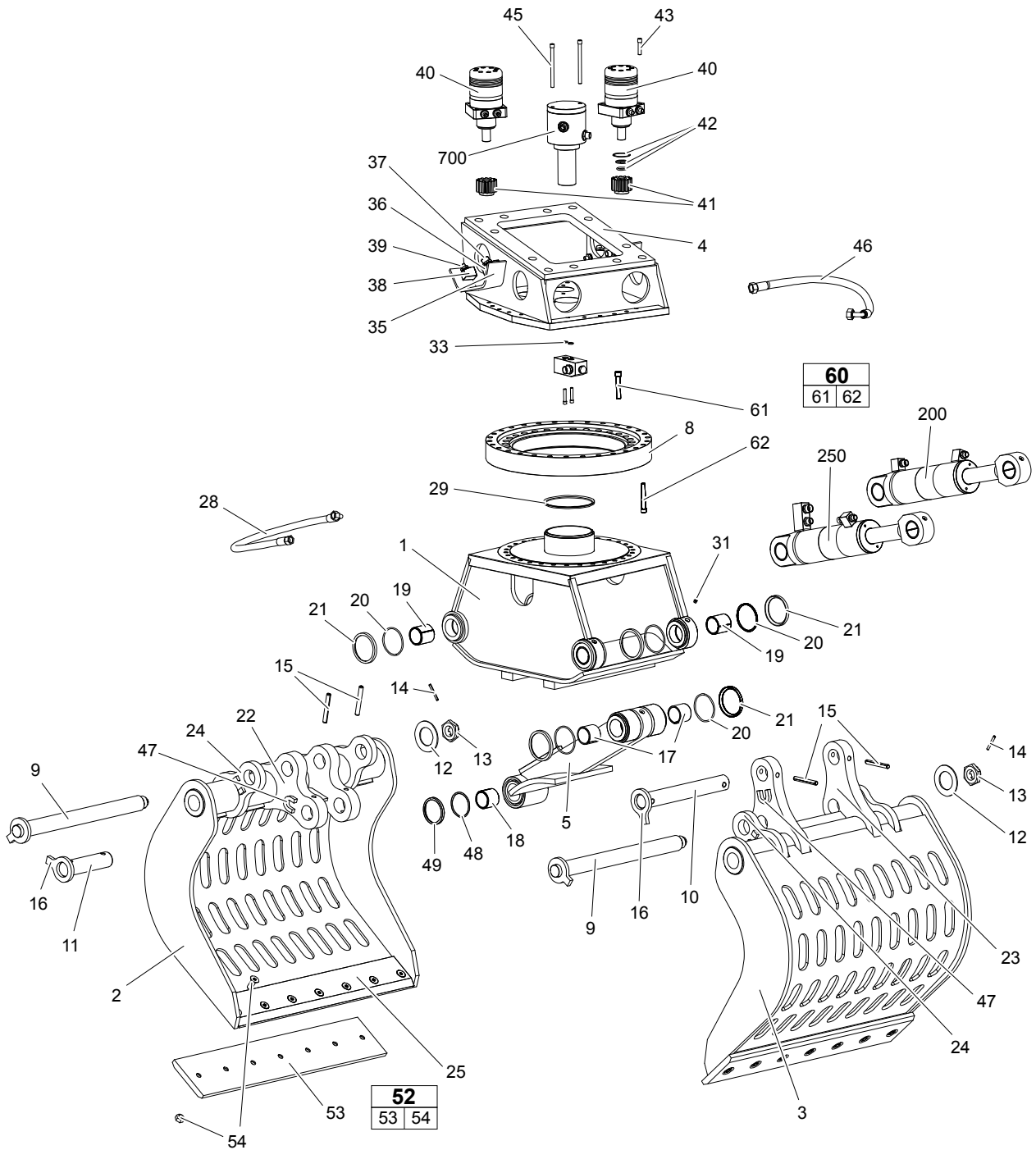
It is essential to indicate the serial number of the hydraulic attachment when ordering spare parts!

Determine the quantity of individual parts which are required and need to be ordered. The order must indicate the following details:

- full identification code of the hydraulic attachment
- required quantity
- part number
- description

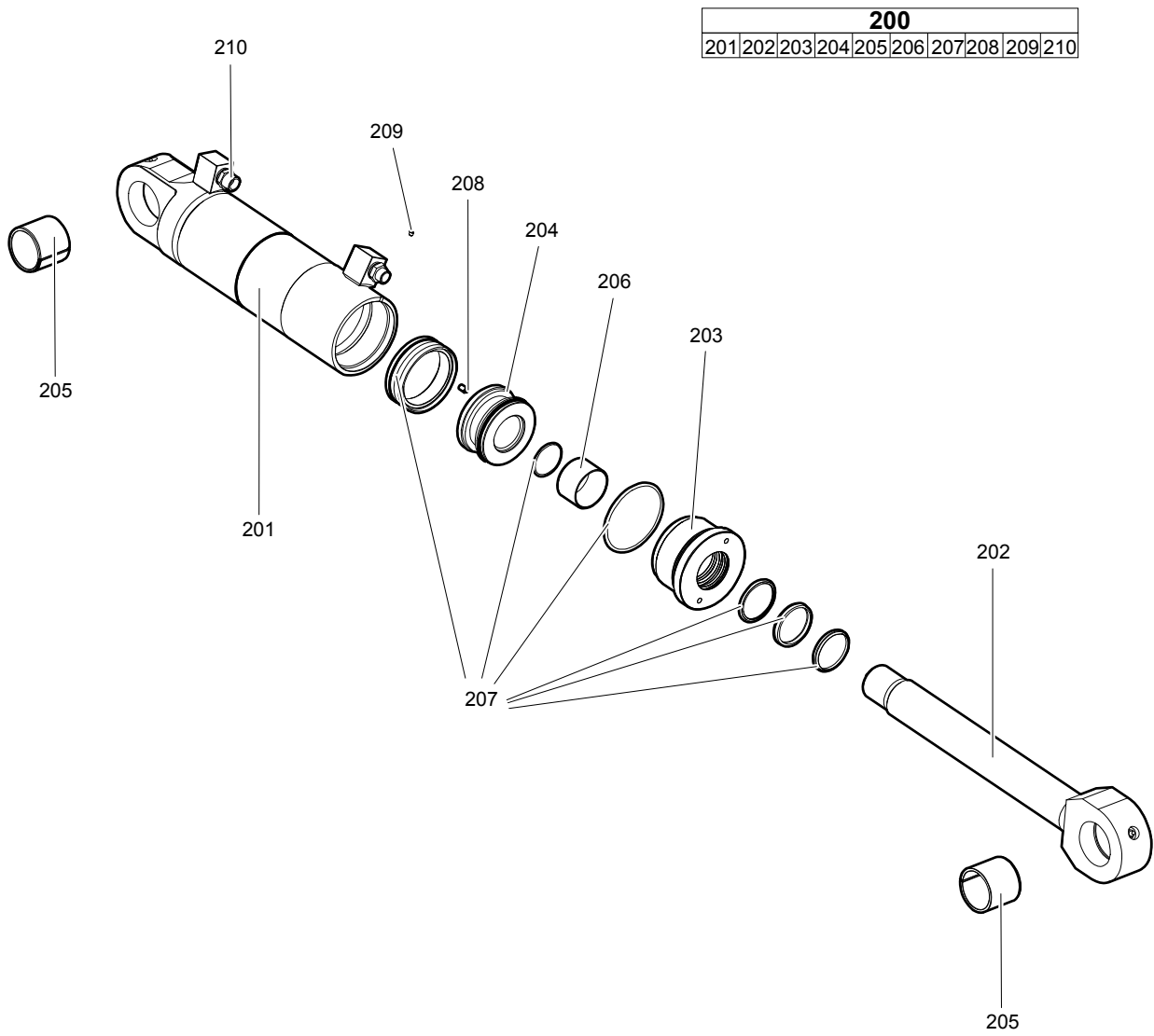
Spare parts list

Multi grapple



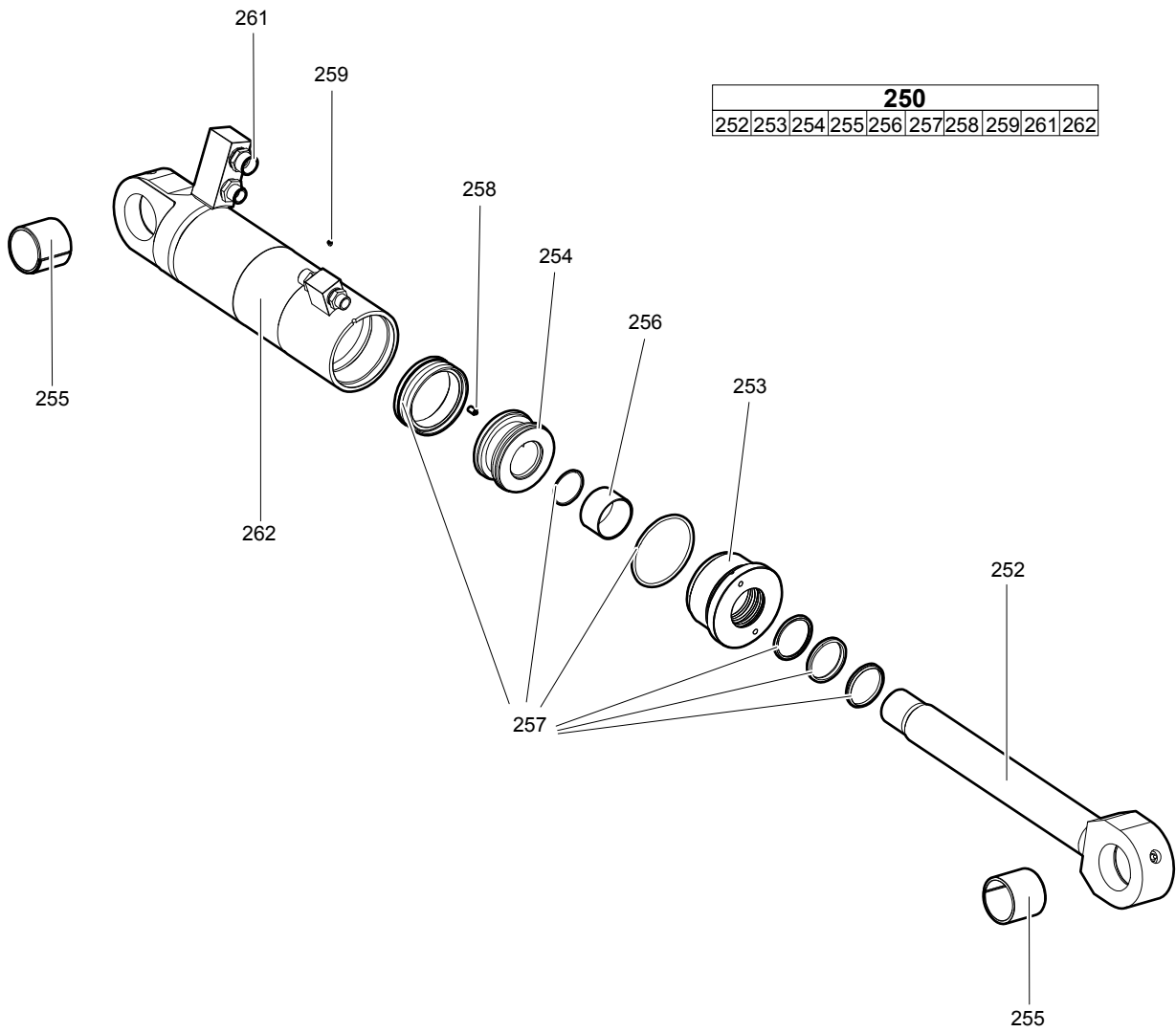
| No. | Description | Remark | Quantity | Part number |
|------------------|------------------------|----------------------------|----------|--------------|
| 1 | Housing | | 1 | 3363 1136 03 |
| 2 | Grapple leaf, left | | 1 | 3363 0985 28 |
| 3 | Grapple leaf, right | | 1 | 3363 0985 27 |
| 4 | Upper part | | 1 | 3363 1136 04 |
| 5 | Linkage | | 1 | 3363 0985 24 |
| 8 | Live ring | | 1 | 3363 1136 07 |
| 9 | Bolt | | 2 | 3363 0985 21 |
| 10 | Bolt | | 1 | 3363 0985 22 |
| 11 | Bolt | | 1 | 3363 0985 23 |
| 12 | Spring ring | | 2 | 3363 1136 08 |
| 13 | Castle nut | | 2 | 3363 0985 38 |
| 14 | Spring dowel sleeve | | 2 | 3363 0985 42 |
| 15 | Spring dowel sleeve | | 4 | 3363 0985 36 |
| 16 | Lock plate | | 2 | 3363 1136 09 |
| 17 | Bearing bush | | 2 | 3363 0985 25 |
| 18 | Bearing bush | | 2 | 3363 1136 10 |
| 19 | Bearing bush | | 4 | 3363 0985 17 |
| 20 | O-ring | | 10 | 3363 0985 15 |
| 21 | Metal seal | | 10 | 3363 0985 16 |
| 22 | Web plate | | 2 | 3363 1136 11 |
| 23 | Web plate | | 2 | 3363 1136 12 |
| 24 | Web plate | | 4 | 3363 1136 13 |
| 25 | Blade support | | 2 | 3363 1136 14 |
| 28 | Hose kit | Kit with 4 hoses | 1 | 3363 1136 17 |
| 29 | V-ring | | 1 | 3363 0985 47 |
| 31 | Grease nipple kit | Kit with 12 grease nipples | 1 | 3363 1136 19 |
| 33 | Seal kit | | 1 | 3363 1136 20 |
| 35 | Protective sheath | | 2 | 3363 1136 22 |
| 36 | Connection block | | 2 | 3363 1136 23 |
| 37 | Nipple | | 2 | 3363 1136 24 |
| 38 | Connection block | | 2 | 3363 1136 25 |
| 39 | Nipple | | 2 | 3363 1136 26 |
| 40 | Hydraulic motor | | 2 | 3363 1136 27 |
| 41 | Pineon | | 2 | 3363 1136 28 |
| 42 | Seal kit | for hydraulic motor | 1 | 3363 1136 29 |
| 43 | Allen screw kit | Kit with 8 screws | 1 | 3363 1136 30 |
| 45 | Allen screw kit | Kit with 2 screws | 1 | 3363 1136 32 |
| 46 | Hose kit | Kit with 6 hoses | 1 | 3363 1136 33 |
| 47 | Lock piece | | 2 | 3363 1136 34 |
| 48 | O-ring | | 2 | 3363 1136 35 |
| 49 | Metal seal | | 2 | 3363 1136 36 |
| 52(53-54) | Blade kit | | 1 | 3363 1136 92 |
| 53 | Blade kit | kit with 2 blades | 1 | - |
| 54 | Bolt kit | Kit with 14 screws/nuts | 1 | 3363 1136 16 |
| 60(61-62) | Allen screw kit | Kit with 24/30 screws | 1 | 3363 1136 18 |
| 61 | Allen screw | | 24 | - |
| 62 | Allen screw | | 30 | - |
| 200 | Hydraulic cylinder | see separate chapter | 1 | 3363 1136 06 |
| 250 | Hydraulic cylinder | see separate chapter | 1 | 3363 1136 05 |
| 700 | Rotary transmission | see separate chapter | 1 | 3363 1136 31 |

Hydraulic cylinder, left-hand



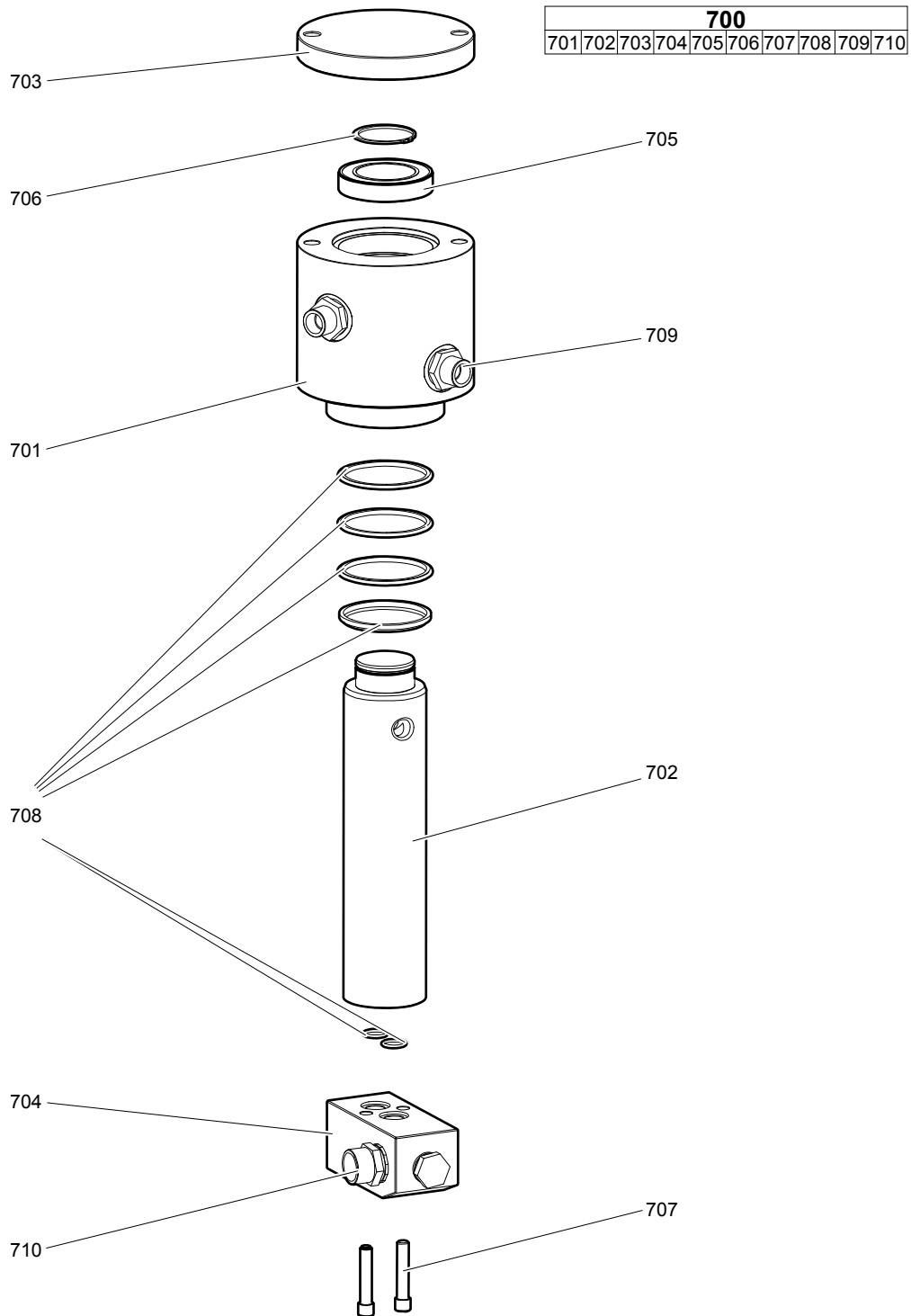
| No. | Description | Remark | Quantity | Part number |
|---------------------|---------------------------|--------------------|----------|--------------|
| 200(201-210) | Hydraulic cylinder | | 1 | 3363 1136 06 |
| 201 | Cylinder body | | 1 | 3363 1136 38 |
| 202 | Piston rod | | 1 | 3363 0985 02 |
| 203 | Cover | | 1 | 3363 0985 03 |
| 204 | Piston | | 1 | 3363 0985 04 |
| 205 | Bearing bush | | 2 | 3363 1136 39 |
| 206 | Guide bush | | 1 | 3363 0985 05 |
| 207 | Seal kit | | 1 | 3363 1136 40 |
| 208 | Pin | | 1 | 3363 1136 41 |
| 209 | Pin | | 1 | 3363 0985 11 |
| 210 | Connecting kit | Kit with 2 nipples | 1 | 3363 1136 42 |

Hydraulic cylinder, right-hand



| No. | Description | Remark | Quantity | Part number |
|---------------------|---------------------------|--------------------|----------|--------------|
| 250(252-262) | Hydraulic cylinder | | 1 | 3363 1136 05 |
| 252 | Piston rod | | 1 | 3363 0985 02 |
| 253 | Cover | | 1 | 3363 0985 03 |
| 254 | Piston | | 1 | 3363 0985 04 |
| 255 | Bearing bush | | 2 | 3363 1136 39 |
| 256 | Guide bush | | 1 | 3363 0985 05 |
| 257 | Seal kit | | 1 | 3363 1136 40 |
| 258 | Pin | | 1 | 3363 1136 41 |
| 259 | Pin | | 1 | 3363 0985 11 |
| 261 | Connecting kit | Kit with 4 nipples | 1 | 3363 1136 44 |
| 262 | Cylinder body | | 1 | 3363 1136 43 |

Rotary transmission



| No. | Description | Remark | Quantity | Part number |
|---------------------|----------------------------|--|----------|--------------|
| 700(701-710) | Rotary transmission | | 1 | 3363 1136 31 |
| 701 | Stator | | 1 | 3363 1136 45 |
| 702 | Rotor | | 1 | 3363 1136 46 |
| 703 | Cover | | 1 | 3363 1136 47 |
| 704 | Connection block | | 1 | 3363 0985 37 |
| 705 | Bearing | | 1 | 3363 1136 49 |
| 706 | Seeger circlip ring | | 1 | 3363 1136 50 |
| 707 | Allen screw kit | Kit with 2 screws | 1 | 3363 1136 21 |
| 708 | Seal kit | | 1 | 3363 1136 52 |
| 709 | Connecting kit | Kit with 2 nipples | 1 | 3363 1136 53 |
| 710 | Connecting kit | Kit with 2 nipples 1 threaded plug | 1 | 3363 1136 54 |

Tightening torques

| No. | Description | Tightening torque | Remark |
|-----|---------------------|-------------------|-----------------------------|
| 54 | Allen screw and nut | 600 Nm | Allen key and socket wrench |
| 61 | Allen screw | 300 Nm | Allen key |
| 62 | Allen screw | 200 Nm | Allen key |

Accessories

Hydraulic hoses

Open - Close

| Description | Remark | Quantity | Part number |
|----------------|---|----------|--------------|
| Hydraulic hose | I.D. 20 both ends M 36x2, conical seal 24° length 2300 mm (90.55 in.) | 2 | 3360 3322 94 |
| Hydraulic hose | I.D. 20 both ends M 36x2, conical seal 24° length 2800 mm (110.24 in.) | 2 | 3363 0859 47 |

Rotation

| Description | Remark | Quantity | Part number |
|----------------|--|----------|--------------|
| Hydraulic hose | I.D. 8 both ends M 20x1.5, conical seal 24° length 2800 mm (110.24 in.) | 2 | 3363 0317 67 |
| Hydraulic hose | I.D. 8 both ends M 20x1.5, conical seal 24° length 3500 mm (137.80 in.) | 2 | 3363 0343 99 |

Optional equipment

| Description | Remark | Quantity | Part number |
|------------------------------------|---|----------|--------------|
| Cutter grease cartridge | 12 x 400 g (0.88 lbs) | 1 | 3363 0949 14 |
| Grease gun | | 1 | 0909 1071 00 |
| Adapter plate matching the carrier | Consult the Atlas Copco Customer Center/Dealer in your area. | 1 | - |
| Base plate with threaded inserts | | 1 | 3363 0997 99 |
| Bolt kit | | 1 | 3363 0873 06 |
| Base plate with through borings | | 1 | 3363 1006 97 |
| Bolt kit | | 1 | 3363 0945 79 |
| Allen key | 22 mm for bolt kit | 1 | 3360 2094 45 |

Kits

Label kit

| No. | Description | Remark | Quantity | Part number |
|-----|-------------|--------|----------|--------------|
| | Label kit | | 1 | 3363 0982 76 |

Blade kit

| No. | Description | Remark | Quantity | Part number |
|-----|-------------|-------------------------|----------|--------------|
| 52 | Blade kit | | 1 | 3363 1136 92 |
| 53 | Blade | Kit with 2 blades | 1 | 3363 1136 15 |
| 54 | Bolt kit | Kit with 14 screws/nuts | 1 | 3363 1136 16 |

Seal kit (Hydraulic motor)

| No. | Description | Remark | Quantity | Part number |
|-----|----------------------------|--------|----------|--------------|
| 42 | Seal kit (Hydraulic motor) | | 1 | 3363 1136 29 |

Seal kit (Hydraulic cylinder)

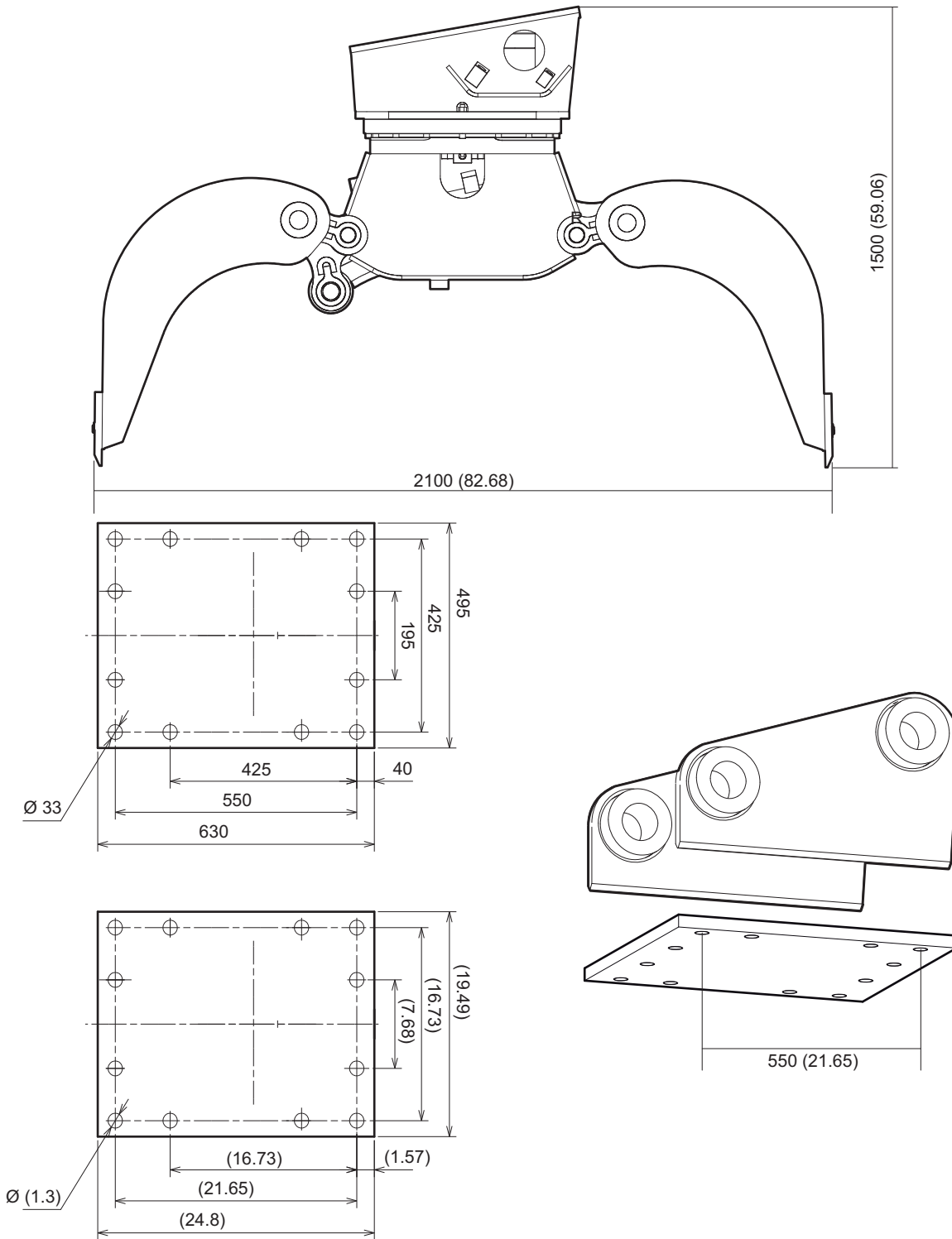
| No. | Description | Remark | Quantity | Part number |
|-----|-------------------------------|--------|----------|--------------|
| | Seal kit (Hydraulic cylinder) | | 1 | 3363 1136 40 |

Seal kit (Rotary transmission)

| No. | Description | Remark | Quantity | Part number |
|-----|--------------------------------|--------|----------|--------------|
| 708 | Seal kit (Rotary transmission) | | 1 | 3363 1136 52 |

Dimensions

mm (inch)



Any unauthorized use or copying of the contents or any part thereof is prohibited.
This applies in particular to trademarks, model denominations, part numbers, and
drawings.

© 2012 Atlas Copco Construction Tools GmbH | No. 3390 7255 01 | 2012-11-20

Atlas Copco

www.atlascopco.com