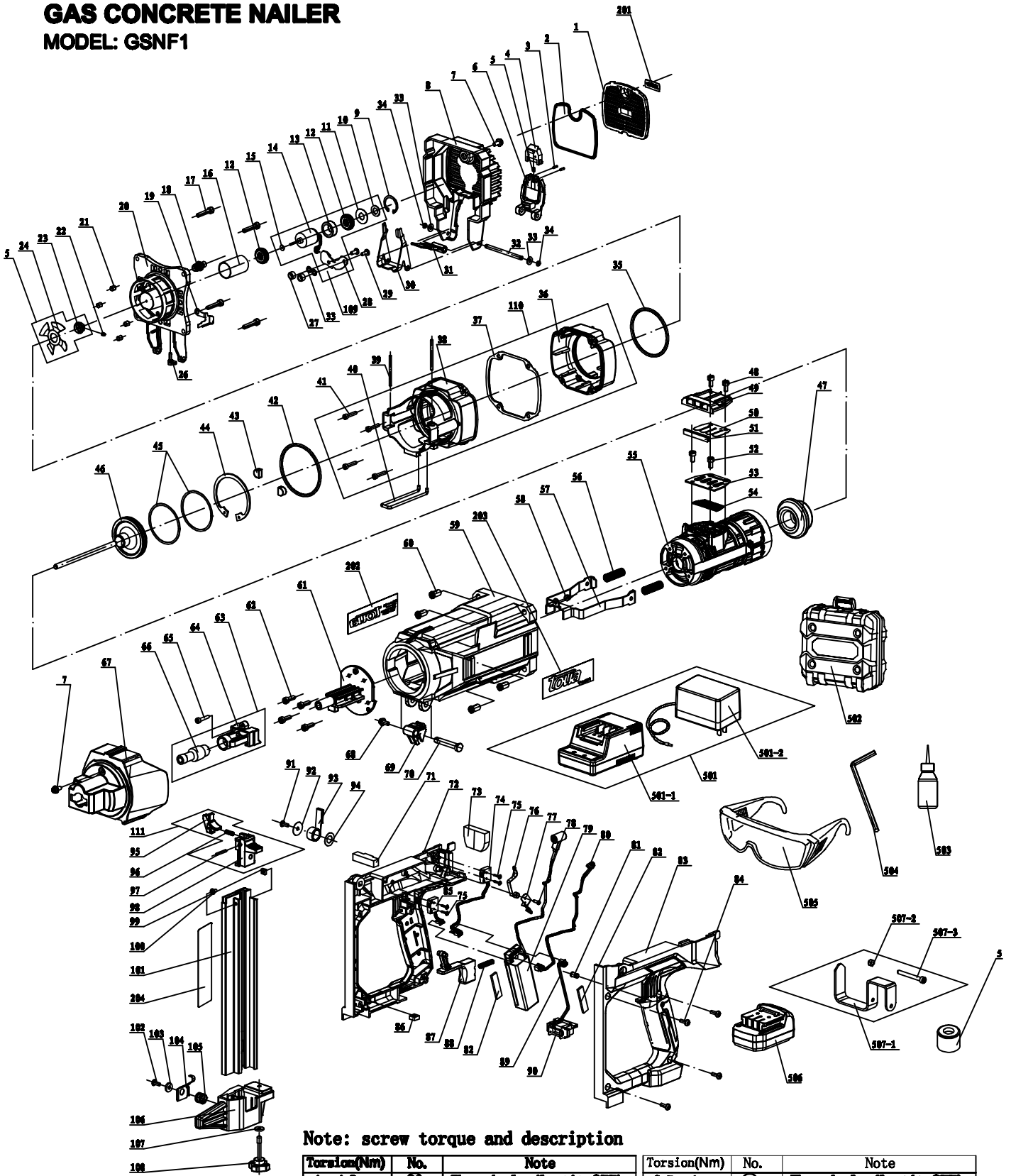


# EXPLODED DRAWING AND PARTS LIST

## GAS CONCRETE NAILER

### MODEL: GSNF1



Note: screw torque and description

Torsion(Nm)	No.	Note	Torsion(Nm)	No.	Note
1~1.2	(2)	Thread glue(loctite277)	3.5~4	(3)	Thread glue(loctite277)
1.8~2	(6) (4)	Thread glue(loctite277)	5.5~6	(4)	Thread glue(loctite272)
3~3.5	(4) (5) (2)	Thread glue(loctite277)			
	(2)	Thread glue(loctite272)			